

ZOYA

A Modern Shining ring in the sky post top that gives a symmetrical distribution with wide area of coverage

- PMMA Diffuser with low angle prisms eradicates glare
- Aesthetic design for Creating ambiance
- Numerous symmetrical light distributions
- Sealed to IP66 protection
- Innovative high performance optical system
- 10 KV additional surge protection device

OUTDOOR LIGHTING



URBAN AMENITY



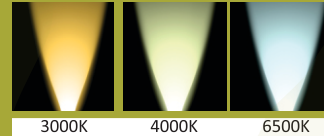
Housing: Lantern Body is made up with corrosion resistant die cast Aluminum, Stainless steel screws. Rubber gaskets are provided at appropriate location for dust and water protection

Optical: Lighting system with excellent downward symmetrical light distribution and visual appeal. The exactitude optical system gives very low glare rating, while reducing light pollution

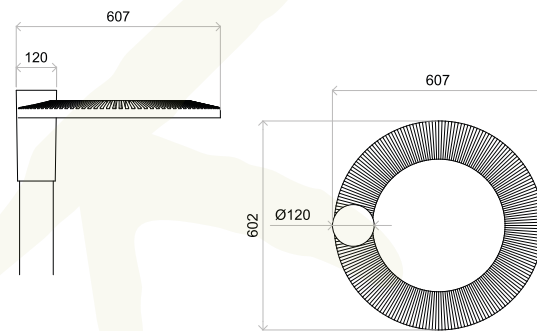
Electrical: Fitting is wired with high efficient LED Module having long service life of 50000hrs. Assembled on MCPCB and mounted onto heat Conductive material. High quality constant current LED driver

Finishing: Complete fitting is pure polyester based powder coated with high corrosion resistant and chemically chromatised protection. Also available with multiple coats of weather resistant polyurethane paint in various color.

COLOR TEMPERATURE



3000K 4000K 6500K



Parks, Squares and pedestrian areas, Urban roads and streets, Bike paths, Precincts

Product Name	Catalogue Ref. No.	LED Wattage	Lumen Output	Ingress Protection
ZOYA	VAK- PT-ZOY-POST-50	50W	4000 LM	IP 66