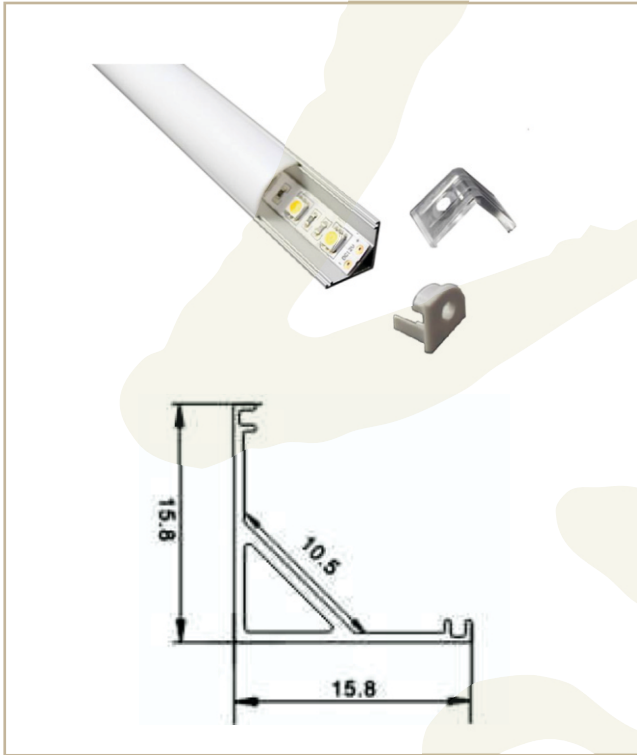


# CORNICA

A fine quality flexible LED strip in aluminum channel with high performance and reliability.

- Suitable for indoor and outdoor cove lighting applications
- Suitable for signage applications
- Easy installation
- Vibration proof and retains stable performance in tough environments



INDOOR LIGHTING

STRIP LIGHT

**Housing :** Cornica body is made of extruded aluminium. Proper integral heatsink, bezel matt finish for ceiling.

**Optical:** Diffused light produced with UV stabilised non yellowing PMMA, Good colour rendering LED down light, choice of CCT 3000K-6500K atRa>80,

**Electrical:** Cornica LED is available in varied wattages with PF>.95 & driver efficiency of > 85%. Input power is 90-240VAC, 50Hz.



Product Name	Catalogue Reference No	Lamp Type	Lamp wattage	Ingress Protection
CORNICA	VAK- CV-COR-COVE-S-05	LED	5W/MTR	IP20
	VAK- CV-COR-COVE-S-10	LED	10W/MTR	IP20
	VAK- CV-COR-COVE-S-15	LED	15W/MTR	IP20